

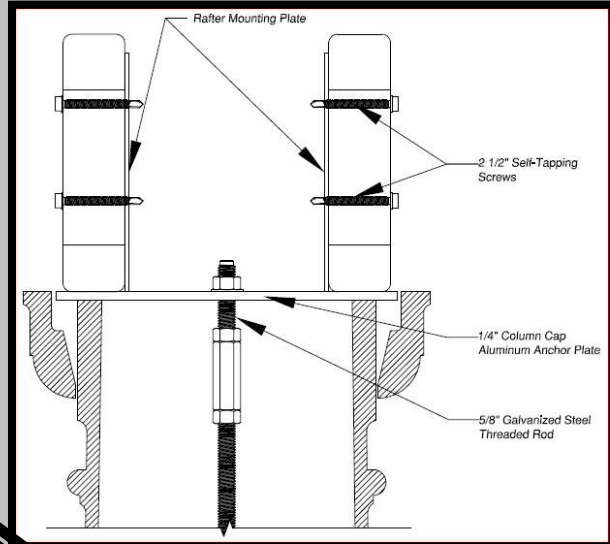
## Pergola Mounting Hardware

### SKU# - Description / Use



- 1) XV1024 - 1/4" - 14 x 2 1/2" Washer Head Self-Drilling Screw / Support Plate
- 2) XV1029 - "L - Bracket / on each side of Rafter to Support
- 3) XV1025 - #12 - 11 x 3/4" Washer Head SS Screw / through L-Bracket(#2 above)
- 4) XV1033 - #8 - 2 1/2" SS Pocket Hole Screw / Purlins
- 5) (per Size) - Column Rafter Support Mounting Plate

- For Quantities needed of each see drawings
- SS = Stainless Steel



## Arbor-Loc® Anchoring System

### Sku # - Description / Use

- 1) XV1018 - 5/8" - 7'-8" Zinc Steel Threaded Rod
- 2) XV1020 - 5/8" SS Finish Nut
- 3) XV1021 - 5/8" 11 SS Coupling Nuts
- 4) XV1022 - 5/8" 11 SS Jam Nut
- 5) XV1023 - 5/8" 11 SS Med Split Lock Washer
- 6) XV1026 - 5/8" 11 SS Wedge Anchor
- 7) XV1036 - 3/4" 11 SS Flat Washer

- Quantities needed 1 set per Column see drawings for sizes
- SS = Stainless Steel

