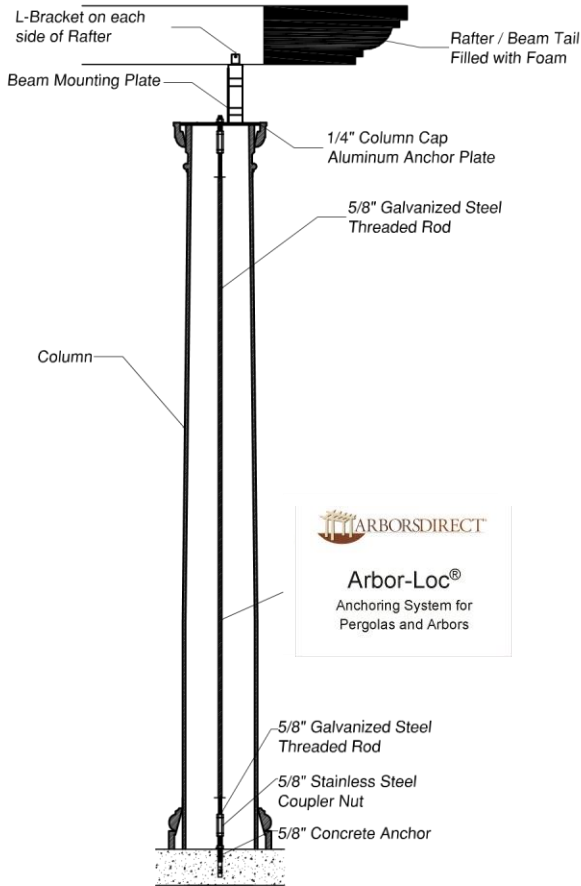


Pultruded Fiberglass Mounting & Attachment Details



**Tie Down System &
Standard Rafters Attachment**



- Fiberglass -
Includes Engineered White coating ChromaGuard™
- a. Option of Custom Color with an Up-Charge.
 - 1) Includes Purlins (at least 3 required for warranty)
Standard size of (2"x2"x length for project, with angled end profile)
 - 2) Sizes for Beams & Rafters quoted are the Standard sizes of (2"x7.5"x length for both)
OR
Option - Custom Sizes are limited to laminating above standard sizes together or square sizes starting at 6"x6" to 12"x12" (representative can clarify)
 - 3) Columns included in Quote.

For Designs Options i.e. Rafter Support/Beams & Rafters on same level

- Rafters are flush mounted between Rafter Support/Beams with tails flush mounted on the outside of the front Rafter Support/Beam.
- Unless you opt for notching, with an added charge, then the rafters would be the full length with Rafter Supports/Beams & Rafters filled to be made solid then notched.

As the manufacturer of the only complete fiberglass composite pergola system in the world, Arbors Direct provides a unique answer to the reduction of environmental impact both during and after the construction process.

- Using composites means less negative impact to the forest or ecological system
- Pergolas are delivered in Kit form and because of its pre-engineered nature they are installed in less than a day reducing trips to the job and reducing energy.
- Their lightweight requires less energy to transport the product.
- Composite materials last longer than traditional materials (wood) and do not have to be replaced which means a longer life cycle cost.
- Wood is treated with chemicals to extend its life. These chemicals leach into the ground and can negatively effect the water table.

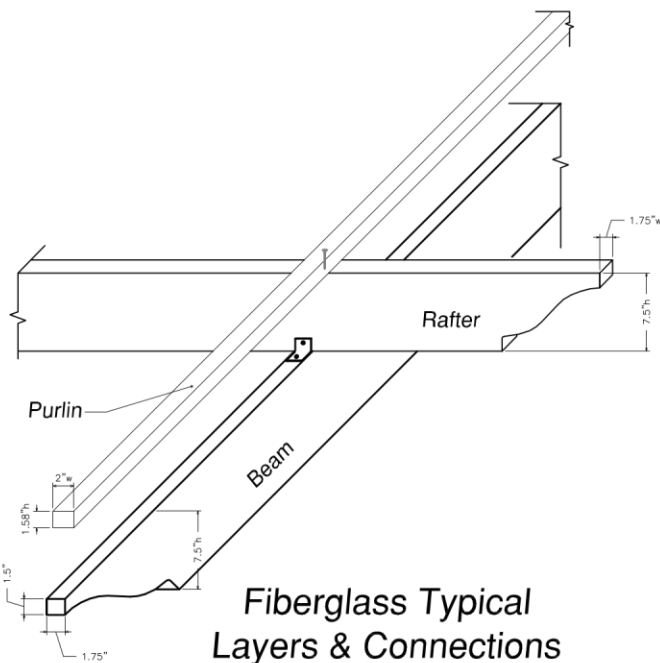
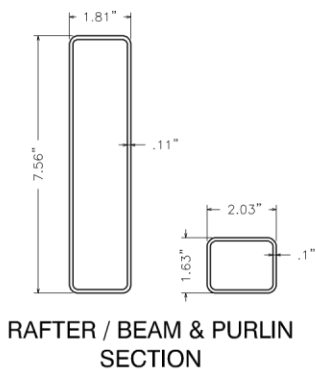
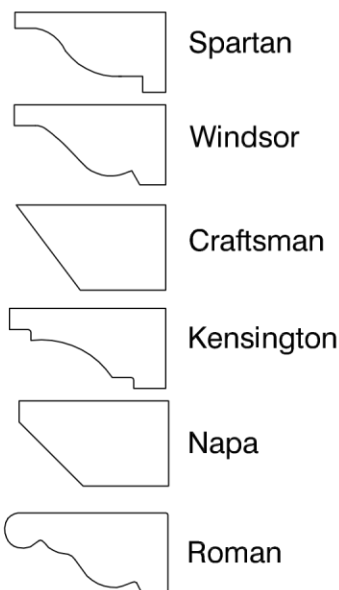
With its innovative composite technology, an Arbors Direct pergola is more durable and longer lasting than wood, stronger and more attractive than vinyl and more abuse resistant than aluminum. We support the Leadership in Energy and Environmental Design (LEED) Green Building rating System and we encourage our customers to Design and specify using sustainable green building and developmental practices.

- The structural strength of this material is amazing. 10' X 10" columns that are 1/8" thick are capable of holding 14,000 lbs of compressive load without structural reinforcement.
- No interior post, beam or other reinforcement is necessary.
- Pound for pound fiberglass is stronger than steel.
- It will not warp, twist, shrink or sag in extreme temperature conditions. Salt air and ocean spray have no affect.
- Spans of 22 feet between supports are accomplished without the need for additional support. A 24 foot 2" x 8" beam produced by this thin wall technology only weighs 24lbs!
- Spanning large open areas creating more usable space beneath the pergola.
- Low or no-maintenance.
- Gives the warmth and elegance of finished wood.
- Available in colors of your choice.
- When speed and ease of installation is an issue.

Fiberglass Pergolas and Arbors are available as a kit for the do-it-yourself handyman, or through your local builder

Standard Tails Offered

(Custom Tails Available)



ARBORSDIRECT®